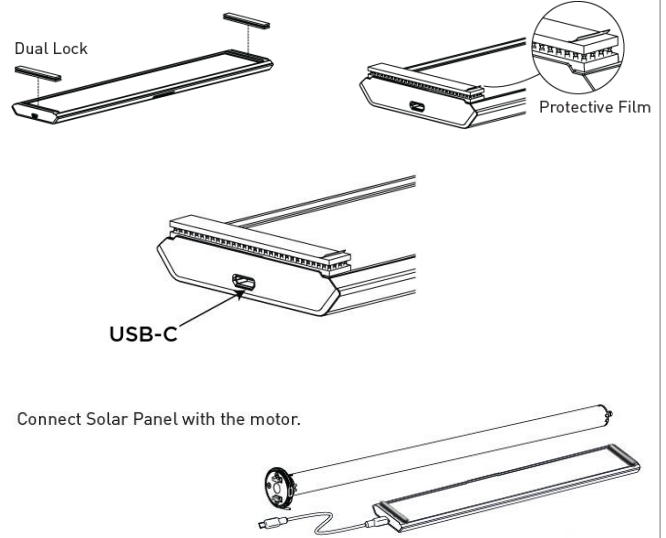


INSTALLING SOLAR PANELS

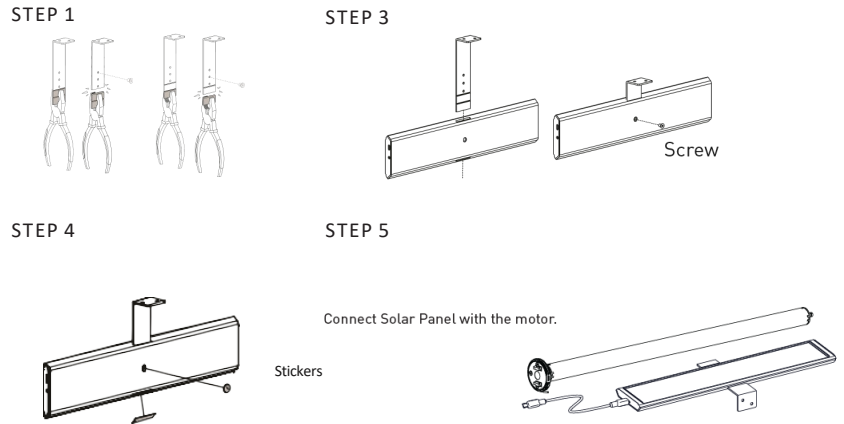
Installing Solar Panel - With Adhesive Strips (Recommended)

1. Clean solar panel surface at far ends first with supplied alcohol wipes and all to air dry.
2. Peel protective film off one side of supplied adhesive strip.
3. Place adhesive tape onto solar panel at far ends. Do not cover solar panel cells.
4. Press adhesive tape firmly onto solar panel surface and hold for 5 to 10 seconds to ensure proper bond.
5. Repeat previous steps for each adhesive strip and solar panel.
6. Apply supplied stickers onto the solar panel to seal any unused mounting holes.
7. Clean glass or mounting surface with supplied alcohol wipes and allow to air dry.
8. Peel protective film off from the other side of the adhesive strips.
9. Position solar panel on motor side of the shade and in a location on the window surface that ensures adequate light exposure.
10. Press firmly onto and hold for 5 to 10 seconds to ensure that it has been attached securely.
11. Connect USB-C cable into the solar panel, then plug solar panel cable into Micro USB port on the motor.

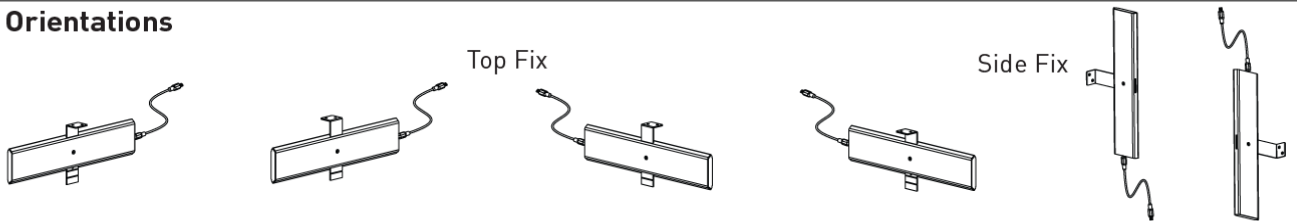


Installing Solar Panel - With Mounting Bracket (Optional)

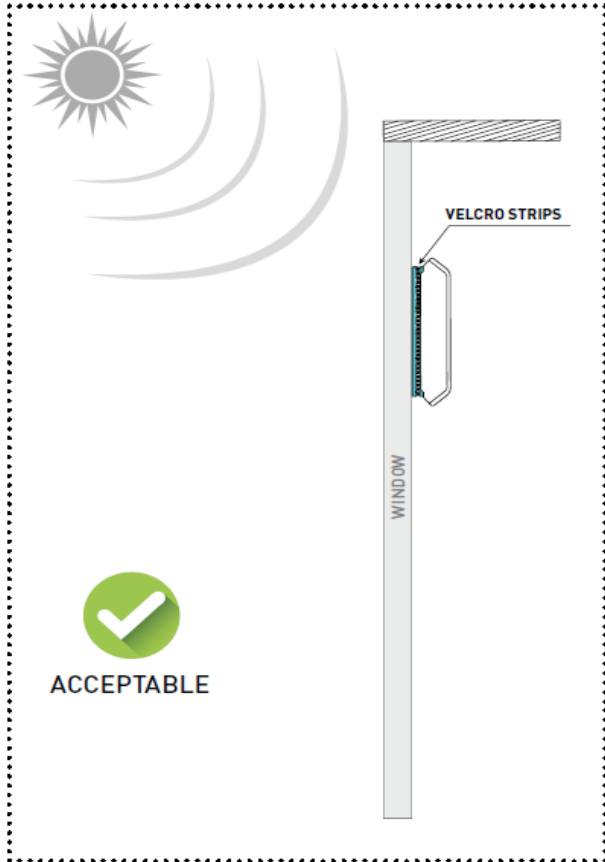
1. Break off excess bracket length with pliers (if necessary).
2. Install mounting bracket to window frame or mounting surface on motor side of shade in a location that ensures adequate light exposure using the provided screw and anchors (or similar if substrate calls for a different screw type) to secure the mounting bracket to the mounting surface. Please note that the mounting bracket requires 1" of depth and should be installed at 5.5" over from the side of the window frame (see diagram for acceptable mounting positions).
3. Attach solar panel to mounting bracket using provided screw.
4. Apply supplied stickers onto the solar panel to seal any unused mounting holes.
5. Connect USB-C cable into the solar panel, then plug solar panel cable into Micro USB port on the motor.



Possible Orientations

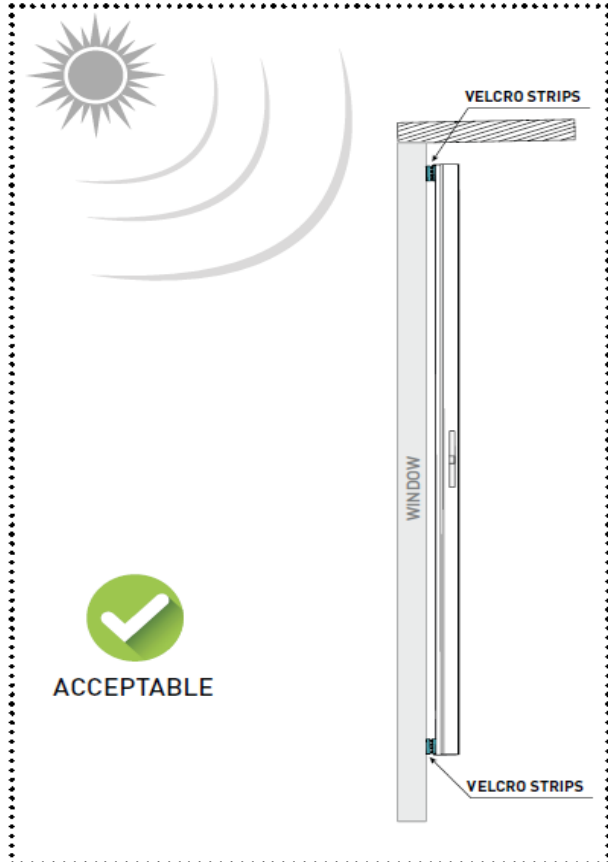


HORIZONTAL ORIENTATION



Use velcro strips to stick the bracket on the window (horizontal orientation).

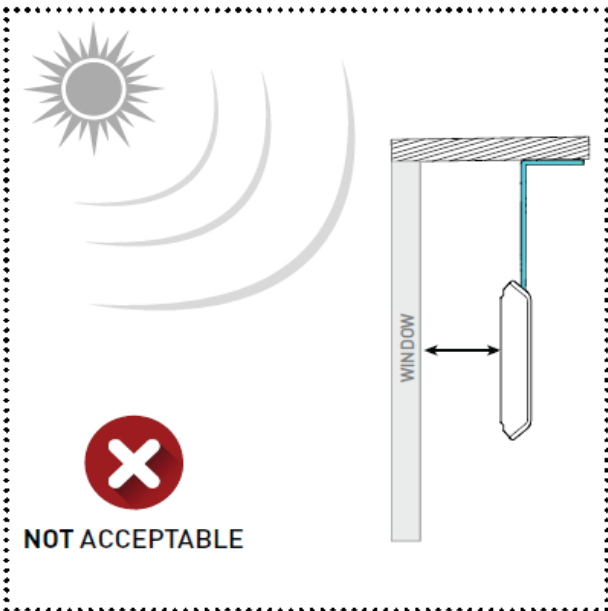
VERTICAL ORIENTATION



Use velcro strips to stick the bracket on the window (vertical orientation).



Keep the solar panel as close to the window as possible.



Solar panel should not be too far from the window because the performance will be reduced.