

KINGSTON HARDWARE INSTALLATION INSTRUCTIONS

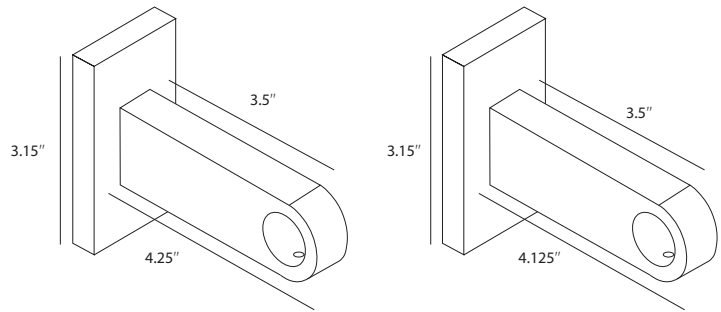
Getting Started: Please read through all instructions carefully before you begin installation.

Unpack all materials making sure all components are included:

- Pole(s)
- Drapery Rings
- Finials
- Mounting Brackets
- Splice (only included with poles over 96")
- Allen Key
- Screws

Tools You Will Need:

- Drill with 1/8" bit and a phillips bit
- Phillips screwdriver
- Metal tape measure



* Please note the important dimensions above as they will be helpful in determining your installation height.

INSTALLING YOUR DRAPERY HARDWARE: Please read through all instructions carefully before you begin installation.

1 Mark

Mark the desired height for the top of your drapery panel. Take into account any clearance or puddling desired at the bottom of the panel. The center of your bracket should be mounted the following distance higher than the mark created.

- 3/4" Diameter Rods: 1"
- 1 1/8" Diameter Rods: 1.5"

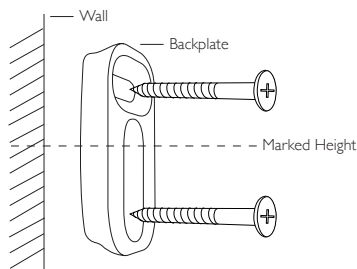
2 Mount

Measure the width of the track. Mark the placement of the two end brackets at the height determined in step 1, approximately 3" – 4" in from the ends of where the track will be installed.

Take the backplate off the bracket and place the center of the backplate at marked height.

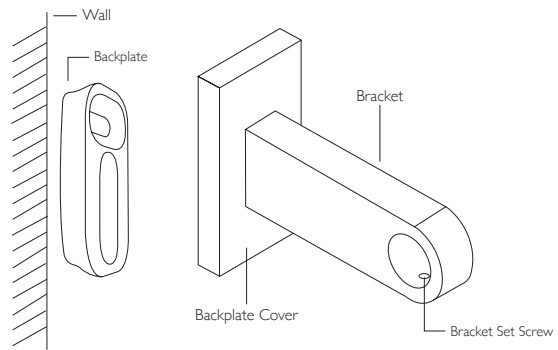
Drill in screws through each hole for a secure mount. Repeat this process for all other brackets evenly spacing them between the two installed brackets.

NOTE: The top of the bracket will rise 1 1/16" above the pole.



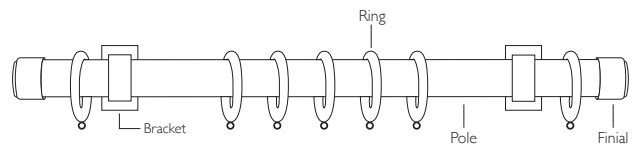
3 Assemble Bracket

Reassemble the bracket onto the backplate. Screw bracket clockwise onto backplate. Turn until tight. Make sure bracket opening is vertical (loosen small hex to adjust and tighten once complete).



4 Attach Rings & Poles

Slide rings onto pole, you may want to leave one ring on the outside of each of the end brackets. Insert pole through bracket openings. Tighten set screws on brackets to secure pole.



5 Finials

Attach finials to both ends of the pole. Tighten set screws on finials to secure to pole.

INSTALLING POLE SYSTEM OVER 96" WIDE-WITH 2 POLES: Please read through all instructions carefully before you begin installation.

All pole sets over 96" will come as 2 poles. A center bracket must be used on the splice where the poles meet.

All poles sets over 96" will arrive with one or more splices.

- Insert splice into open end of each pole.
- Evenly distribute the depth of the splice into each pole and twist tight
- To provide the highest level of support, place bracket over splice location if possible

