

LEXINGTON HARDWARE INSTALLATION INSTRUCTIONS

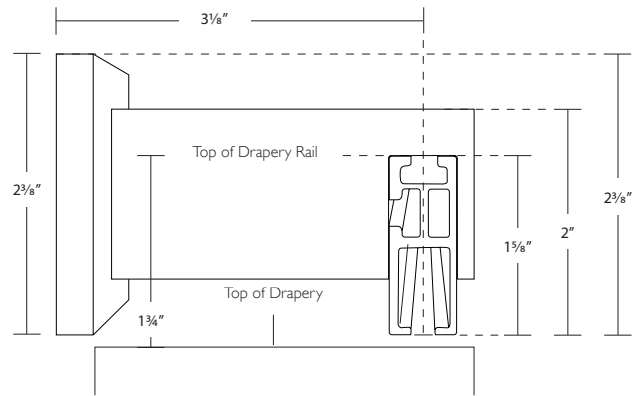
Getting Started: Please read through all instructions carefully before you begin installation.

Unpack all materials making sure all components are included:

- Screws
- Rail(s)
- Mounting brackets + backplate
- Allen keys
- End caps
- Splices (only included with rails over 104")
- No rings come with this collection

Tools You Will Need:

- Drill with 1/8" bit and a phillips bit
- Phillips screwdriver
- Metal tape measure



* Please note the important dimensions above as they will be helpful in determining your installation height.

INSTALLING WALL MOUNT - SINGLE SET: Please read through all instructions carefully before you begin.

1 Mark

Mark the height you would like the top of your drapery rail to be installed, taking into account any clearance or puddling you desire at the bottom, as well as top of rail to top of drapery difference - 1 3/4".

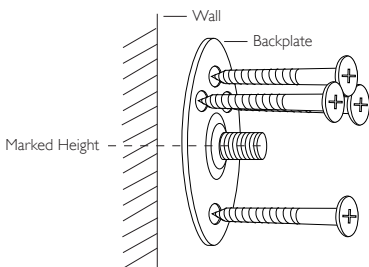
2 Mount

Measure the width of the track. Mark the placement of the two end brackets at the height determined in step 1, approximately 3" - 4" in from the ends of where the track will be installed.

Take the back plate off the bracket and place the center of the back plate at marked height. (Remove back plate from the bracket by rotating plate counter clockwise.)

Drill in screws through the top and bottom holes for secure mount. Repeat this process for all other brackets evenly spacing them between the two installed brackets.

NOTE: The top of bracket will rise 3/4" above the rail.



3 Assemble Bracket

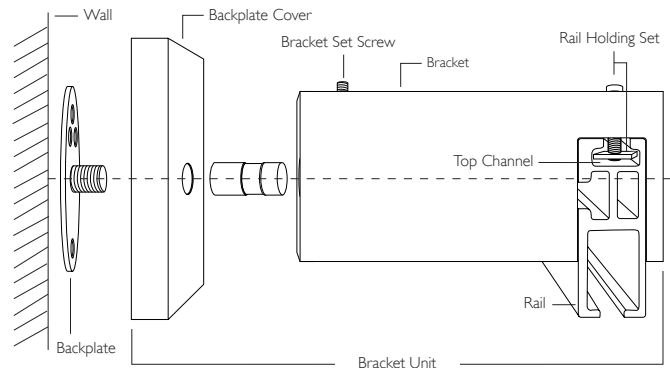
Reassemble the bracket onto the back plate. Screw bracket clockwise onto back plate. Turn until tight. Make sure bracket is facing down (loosen bracket set screw to adjust and tighten once complete).

4 Attach Rail To Bracket

Make sure rail holding set is attached to the bracket loosely. (you should receive it this way).

Attach the rail to the brackets making sure holding rail set slips into top channel.

Lock the rail holding set into the top channel using included Allen key.



5 Attach End Caps

Attach end caps to both ends of the rail.

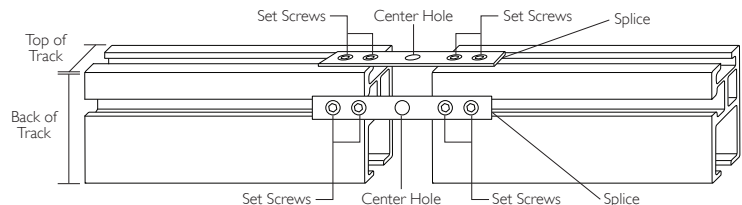
INSTALLING A TRACK SYSTEM OVER 104" WIDE: Please read through all instructions carefully before you begin installation.

When installing tracks over 104", a bracket must be used where the rails meet. (Not applicable to ceiling installation.)

- Insert one splice into the top channel of the connecting ends of each rail and one splice into the back channel and butt ends of each track together.
- Lock set screws of splices with included Allen Key.
- Use the set screws on the splice in the back channel to adjust the alignment of each track to one another.
- Remove bottom portion of the Rail Holding Set on your center support bracket.
- Mount the bracket onto the splice using the bolt from the Rail Holding Set. Insert and tighten it into the center hole of the splice in the top channel.

PLEASE NOTE:

- Tracks greater than 104" will come as two pieces
- Tracks greater than 208" will come as three pieces
- Tracks greater than 312" will come as four pieces



LEXINGTON HARDWARE INSTALLATION INSTRUCTIONS (CONTINUED)

PINCH PLEAT DRAPERY

INSTALLING WALL MOUNT - DOUBLE SET: Follow single wall mount set instructions.

RIPPLE FOLD DRAPERY

INSTALLING WALL MOUNT - DOUBLE SET: Please read through all instructions carefully before you begin.

1 Mark

Mark the height you would like the top of your drapery rail to be installed, taking into account any clearance or puddling you desire at the bottom, as well as top of rail to top of drapery difference - $1\frac{3}{4}$ ".

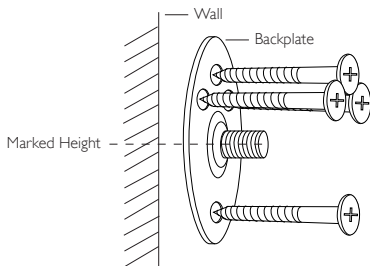
2 Mount

Measure the width of the track. Mark the placement of the two end brackets at the height determined in step 1, approximately 3" - 4" in from the ends of where the track will be installed.

Take the back plate off the bracket and place the center of the back plate at marked height. (Remove back plate from the bracket by rotating plate counter clockwise.)

Drill in screws through the top and bottom holes for secure mount. Repeat this process for all other brackets evenly spacing them between the two installed brackets.

NOTE: The top of bracket will rise $\frac{3}{4}$ " above the rail.



3 Assemble Bracket

Reassemble the bracket onto the back plate. Screw bracket clockwise onto back plate. Turn until tight. Make sure bracket is facing down (loosen bracket set screw to adjust and tighten once complete).

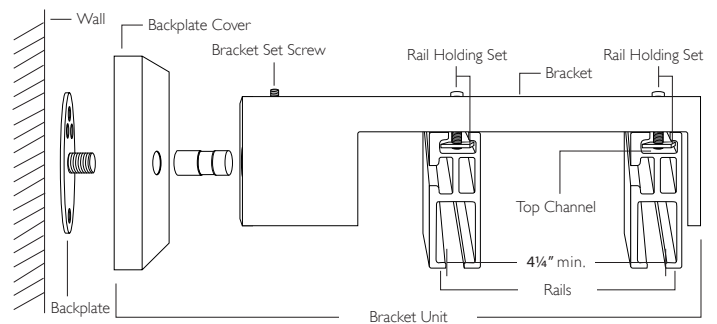
4 Attach Rail To Bracket

Make sure rail holding set is attached to the bracket loosely. (you should receive it this way).

Attach the rail to the brackets making sure holding rail set slips into top channel.

Lock the rail holding set into the top channel using included Allen key.

NOTE: When mounting rails to bracket, make sure front and back rails have at least $4\frac{1}{4}$ " space (on center) before securing rail set screws.



5 Attach End Caps

Attach end caps to both ends of the rails.

INSTALLING CEILING MOUNT: Please read through all instructions carefully before you begin.

1 Mark (Figure 1)

Mark ceiling where center of rail will be installed. Make sure to clear all obstructions.

NOTE: A minimum of $2\frac{1}{4}$ " off the back wall for pleat clearance is required for Ripple Fold Drapery.

2 Mounting

Measure the width of the track. Mark the placement of the two end brackets at the depth determined in step 1, approximately 3" - 4" in from the ends of where the track will be installed.

Remove stem cover from bracket by loosening hex screw.

Install center of stem cover on mark. Secure to ceiling with appropriate hardware (consult your local hardware store if necessary for a secure install).

3 Attaching Rail (Figure 2)

Attach bracket stems to rail by sliding rail holding set into the top channel. Repeat same for all brackets.

Line up each bracket to the installed stem covers by sliding and setting at appropriate locations. Setting the brackets is done by rotating bracket clockwise until secure.

Slide all brackets onto the installed stem covers and secure by tightening hex screw.

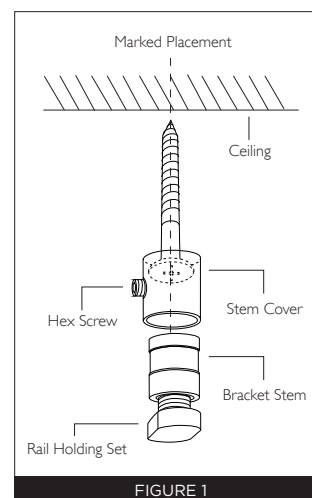


FIGURE 1

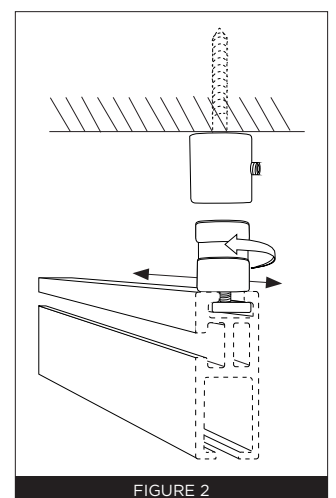


FIGURE 2

* Double check to make sure brackets are installed properly to avoid rail from dislodging from stem covers.