

MOTORIZED MADISON HARDWARE INSTALLATION INSTRUCTIONS

Getting Started

Mark ceiling whe Carefully unpack all materials and check to make sure you have the following installtion parts. We rocmmend readin gthrough these instructions before starting the installation.

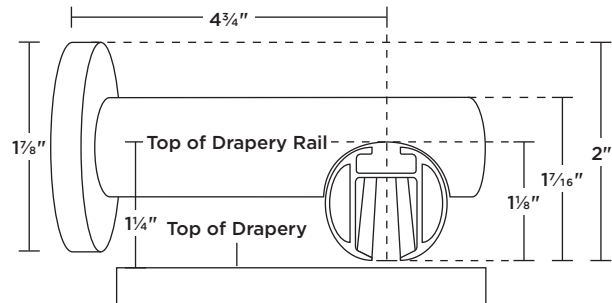
Parts Included:

- Screws
- Rail(s)
- Mounting Brackets + Backplate
- Allen Keys
- End Caps (finials)
- Splice (only included with rails over 9ft)
- No rings come with this collection
- Motor
- Remote Control(s)

Tools You Will Need:

- Drill with a 1/8" bit and a Phillips bit
- Phillips screwdriver
- Metal tape measure

* Please note the important dimensions as they will be helpful in determining your installation height.



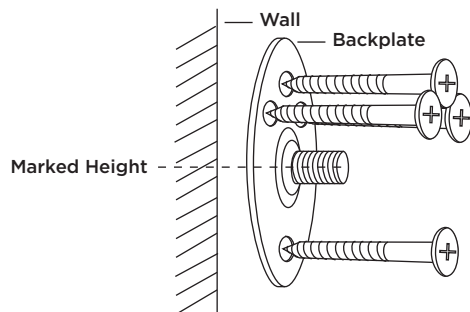
Installing Wall Mount - Single Set:

1. Mark the height you would like the top of your drapery rail to be installed, taking into account any clearance or puddling you desire at the bottom, as well as top of rail to top of drapery difference - 1/4".
2. Measure the width of the track. Mark the placement of the two end brackets at the height determined in step 1, approximately 3" - 4" in from the ends of where the track will be installed.

Take the back plate off the bracket and place the center of the back plate at marked height (Remove back plate from the bracket by rotating plate counter clockwise.)

Drill in screws through the top and bottom holes for secure mount. Repeat this process for all other brackets evenly spacing them between the two installed brackets.

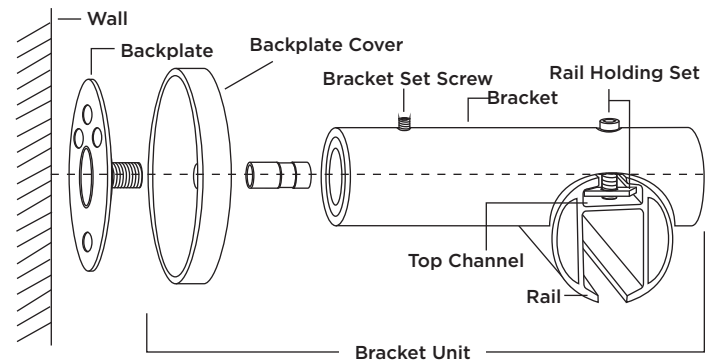
NOTE: The top of bracket will rise 1" above the rail.



3. Reassemble the bracket onto the back plate. Screw bracket clockwise onto back plate. Turn until tight. Make sure bracket is facing down (loosen bracket set screw to adjust and tighten once complete).
4. Make sure rail holding set is attached to the bracket loosely (you should receive it this way).

Attach the rail to the brackets making sure holding rail set slips into top channel.

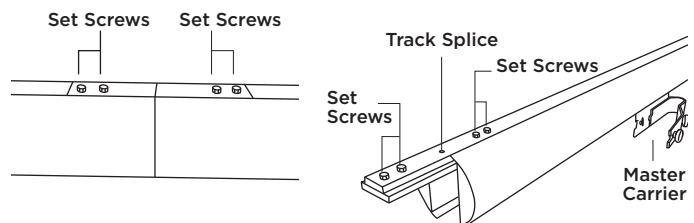
Lock the rail holding set into the top channel using included Allen key.



Installing A Track System Over 104" Wide:

Note: Tracks greater than 104" will come as two pieces

1. Insert the Track Splice into the top channel of one of the tracks.
2. Tighten 2 set screws securely with included Allen Key.
3. Once both tracks have been attached to mounting brackets, butt the two tracks up against one another and ensure they line up seamlessly.
 - Make sure the "arm(s)" of the master carrier(s) are facing into the room.
4. Tighten the other 2 set screws on the Track Splice.



MOTORIZED MADISON HARDWARE INSTALLATION INSTRUCTIONS CONTINUED

Installing Ceiling Mount:

1. Mark ceiling where center of rail will be installed. Make sure to clear all obstructions. (FIGURE 1)

NOTE: A minimum of 2¼" off the back wall for pleat clearance is required for Ripple Fold Drapery.

2. Measure the width of the track. Mark the placement of the two end brackets at the depth determined in step 1, approximately 3" - 4" in from the ends of where the track will be installed

Remove stem cover from bracket by loosening hex screw.

Install center of stem cover on mark. Secure to ceiling with appropriate hardware (consult your local hardware store if necessary for a secure install).

Repeat this process for all other brackets evenly spacing them between the two installed brackets.

3. Attach bracket stems to rail by sliding rail holding set into the top channel. Repeat same for all brackets. (FIGURE 2)

Line up each bracket to the installed stem covers by sliding and setting at appropriate locations.

Slide all brackets onto the installed stem covers and secure by tightening hex screw.

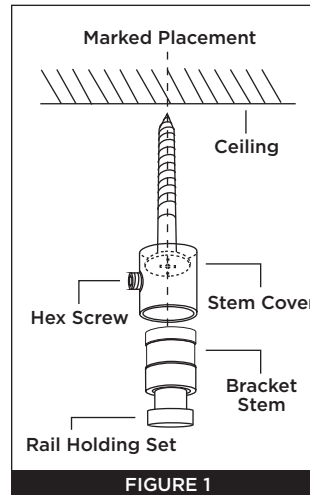


FIGURE 1

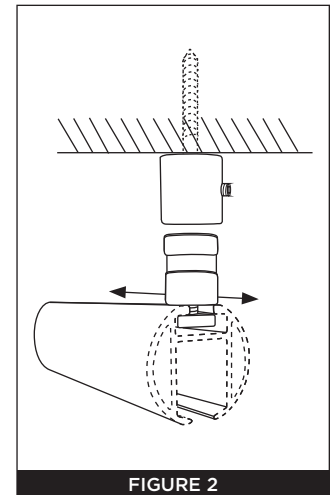
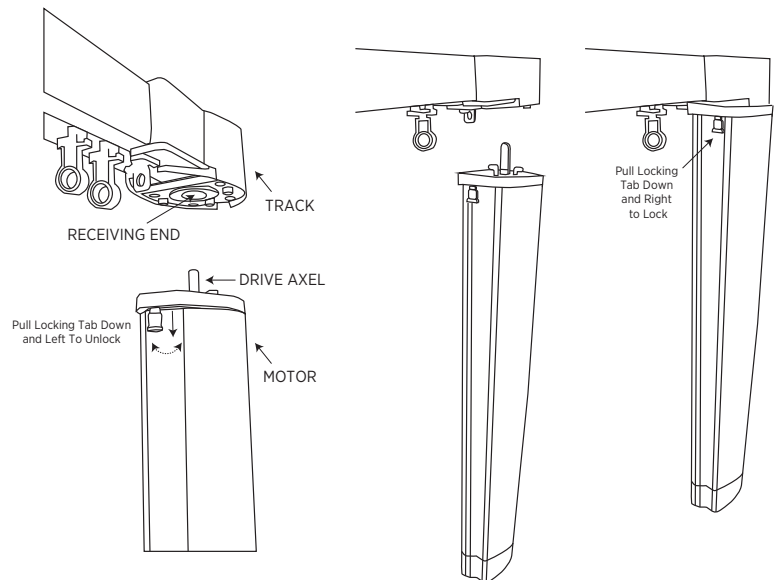


FIGURE 2

* Double check to make sure brackets are installed properly to avoid rail from dislodging from stem covers.

2. Attaching the Motor

- Align the drive axle on the motor with the receiving end on the track.
- The drive axle may need to be rotated to insure that it fully seats into the track. The top of the motor will be flush with the track when installed correctly.
- Pull the locking pin down and slide to the locked position.
- The motor is installed.



3. Operating Your Drapery

- Your motorized drapery track has been pre-programmed.
- A channel has been assigned based on your specifications.
- We've also set opening and closing limits.
- For more information, see the Quick Start Guide that came with your drapery or visit www.theshadestore.com/motors-help.

Warranty

The Shade Store products are covered by a limited lifetime warranty. This warranty covers any defects in materials or workmanship so long as the product is measured and installed according to instructions. Every Shade Store window treatment is designed to provide trouble-free use.