

**PARTS INCLUDED:**

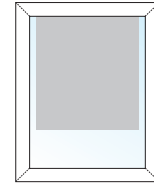
- 2x Screws
- 4"-6" Hex Head Bit
- Mounting Brackets (only needed for outside mount)
- 1x Plug-In Charger w/Extension Cable\*
- Remote Control(s)

\*Battery Motor Only

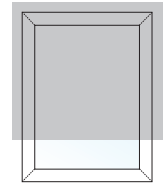
**TOOLS YOU WILL NEED:**

- Drill with a 1/8" bit
- Hex head and/or Phillips bit
- Phillips Screwdriver
- Metal Tape Measure

**MOUNT TYPE YOUR INSTALLING FOR:**



FOR INSIDE MOUNT  
SEE SECTION 1A



FOR OUTSIDE MOUNT  
SEE SECTION 1B

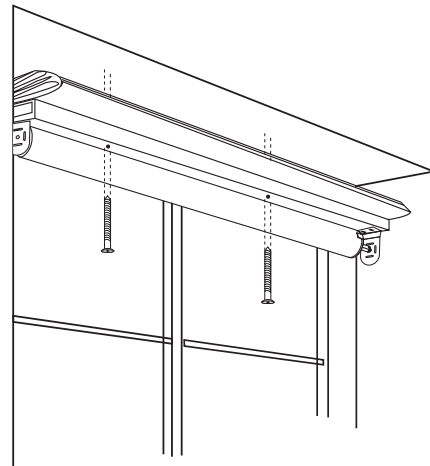
**Note:** Your brackets must be securely attached to the mounting surface. If your screws are not secure you'll have to use a different fastener which can be found at any local hardware store.

## 1A. Mounting Your Shade - Inside Mount

(mounting holes are pre-drilled through the headrail)

- Start the screws into the mounting holes and tighten until the tips of the screws are slightly showing on the top of the headrail.
- Hold the shade inside the window frame. If possible, the front of the shade should be even with the front edge of the window frame. The shade should be centered within the window frame.
- With the shade properly positioned, push up on the headrail, allowing the screw tips to leave a small indentation on the window frame.
- Drill a hole with a 1/8" drill bit at the indentions.
- Finish the job by attaching the screws in the headrail into the pre-drilled holes.

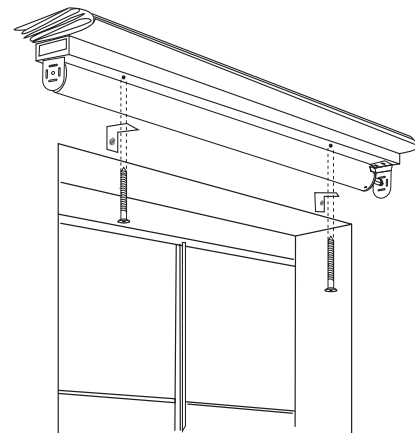
**Note:** Your brackets must be securely attached to the mounting surface. If your screws are not secure you'll have to use a different fastener which can be found at any local hardware store.



## 1B. Mounting Your Shade - Outside Mount

- Attach the brackets to the wall or window frame at the desired height, using the screws provided, making sure the brackets are level with each other.
- Set the headrail on the brackets. Make sure the draw cords move freely around the mounting brackets.
- Center the shade back against the wall or window frame.
- Mark hole and pre-drill using 1/8" drill bit at each bracket location.
- Attach the shade to the brackets using the short screws provided.

**Note:** Your brackets must be securely attached to the mounting surface. If your screws are not secure you'll have to use a different fastener which can be found at any local hardware store.



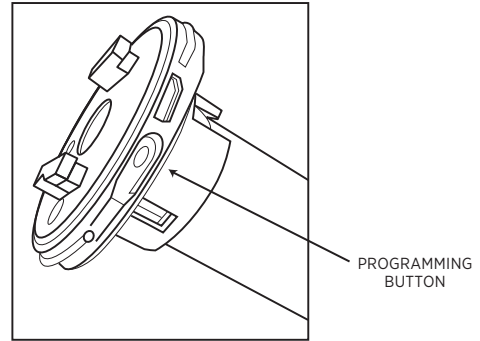
## 2. Powering on Your Shade

### To Activate (Wake Up) Your Battery Motor

- If you selected a battery motor, it's fully charged and has been put into "Sleep Mode" to avoid operation during shipping.
- Press and hold the programming button on the motor head until the motor jogs up and down once.
- The shade is now no longer in "Sleep Mode" and ready for use.
- *\*Warning: if you press and release the programming button quickly, the motor will lower to its lower limit. Be mindful of this during install process.*

### To Activate the Plug-In Motor

- Plug your motor into the wall outlet that will power the shade.
- The shade is ready to use.



## 3. Operating Your Shade

- Your shades have been pre-programmed.
- A channel has been assigned to each motor based on your specifications.
- We've also set approximate upper and lower limits.
- For more information, see the Quick Start Guide that came with your shade or visit [www.theshadestore.com/motors-help](http://www.theshadestore.com/motors-help).

## Care and Cleaning

Always clean with a low suction, hand held vacuum or dust with a soft, clean cloth or feather duster. If you're dealing with dirt and stains, we suggest using a Mr. Clean® magic eraser to spot treat dirt and stains. This is available online, at local home improvement stores or we can send directly to you via USPS (1-3 days) at no charge.

## Warranty

The Shade Store products are covered by a limited lifetime warranty. This warranty covers any defects in materials or workmanship so long as the product is measured and installed according to instructions. Every Shade Store window treatment is designed to provide trouble-free use.