

XL VERTICAL INSTALLATION INSTRUCTIONS

SIMPLY FOLLOW OUR STEP-BY-STEP INSTRUCTIONS AND YOUR BEAUTIFUL NEW SHADES WILL SOON BE ENHANCING YOUR HOME OR WORKSPACE FOR MANY YEARS TO COME.

1. Preparing to Install Your XL Vertical:

We recommend reading through these instructions before starting the installation. After removing the XL vertical from its packaging, ensure you have all the parts needed for installation. Do not dispose of the packaging until installation is complete. As with most installation of this type, a secure attachment to the mounting surface is required. All bracket mounting screws must screw into wood. If your particular installation requires you to mount the brackets to a surface other than wood, be sure to use the appropriate fasteners. These can be purchased at your local hardware store.

* According to the Window Covering Manufacturers Association Inc., all labels must not be removed from the product.

* To comply with child safety standards, all tension devices must be installed per the installation instructions provided in step 4.

2. Bracket Attachment:

Inside Mount / Ceiling Mount: The brackets should be located approximately 4" in from the ends of the track. You will need to have a minimum of 5" of space from the center of the track to the window (or window hardware) in order for the panels to have enough room to tilt. Attach the brackets with the screws provided as shown in Fig. 1, insuring all brackets are in line. The track snaps into the brackets as shown in Fig. 2 below. If the track requires more than two brackets, locate the extra bracket(s) and evenly space it between the two end brackets.

Outside Mount / Wall Mount: Locate the position of the headrail over the window. Mark the location of the ends of the track on the wall. Attach the wall brackets on the wall 4" in from the ends of the tracks as shown Fig. 3. Make sure the brackets are level with each other. If the track requires more than two brackets, space the extra bracket evenly between the two end brackets.

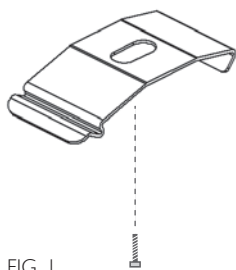


FIG. 1

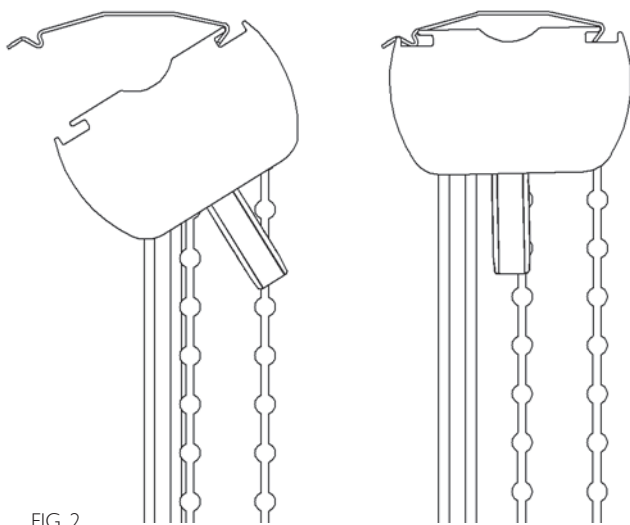


FIG. 2

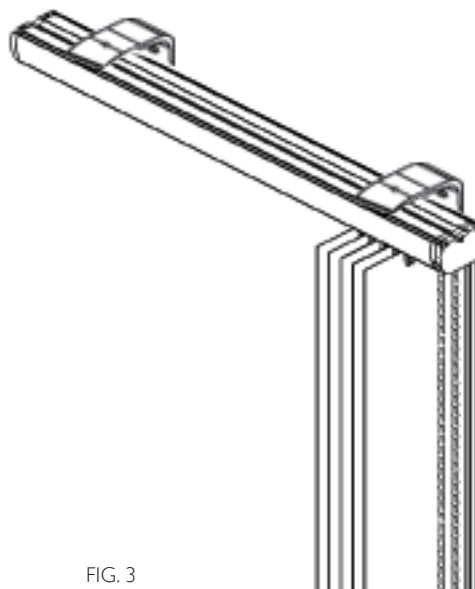


FIG. 3

* Please note that your brackets must be securely attached to the mounting surface. If your screws do not hit wood studs you'll have to use a different fastener which can be found at any local hardware store.

XL VERTICAL INSTALLATION INSTRUCTIONS (continued)

SIMPLY FOLLOW OUR STEP-BY-STEP INSTRUCTIONS AND YOUR BEAUTIFUL NEW SHADES WILL SOON BE ENHANCING YOUR HOME OR WORKSPACE FOR MANY YEARS TO COME.

3. Attaching the Panels:

Each of the panels for your XL vertical will come rolled up. Gently unroll each panel individually. Do not begin this step until your track is securely installed and mounted in place. Take each panel, one at a time, and determine the "top". The "top" of the panel is the end that has the slotted hole on it (the bottom of the panel has a sewn-in weight bar). Attach the top of the panel to the "carriers" that are along the bottom of the track – the panel will snap into the clips of the carriers. See Fig. 4. Continue to do this until you have all panels installed.

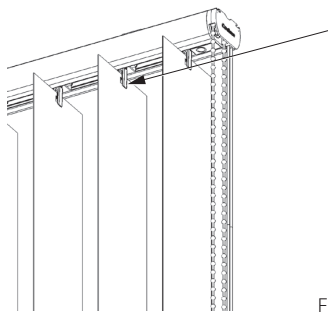
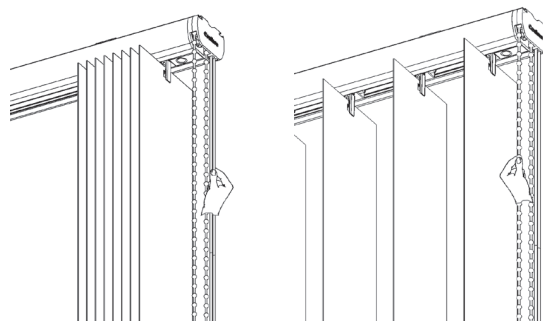


FIG. 4

Operating Panels:

Your XL vertical system has the capability to both traverse and tilt! You can open and close the panels by drawing/pulling on the cord at the end of your track. To tilt the panels, simply pull/draw on the chain.

***Please note that prior to drawing your vertical system open or closed, panels should be tilted to open position.**



4. Installing Tension Device (Continuous Loop Control):

Consider Position of Tension Device:

The tension device should be positioned on the window frame or the wall so that the tension device and control cord does not interfere with operation / hanging of shade.

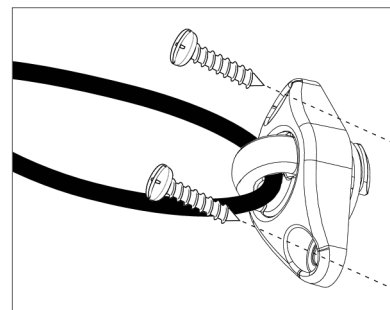
The tension device should be installed so that cord is taut without stretching or pulling down on it. Stretching the cord will cause excessive wear. Do not twist or cross the control cord.

Install Tension Device:

Press and hold the back spring on the tension device that is pre-installed at the top of the cord loop. With the spring held, slide the device down to the bottom of the loop to where you would like the device positioned.

Insert and secure the two screws through the holes in the device. The loop should now pass freely through the tension device.

Please Note: When attaching to wood, included screws can be screwed directly into wood. When attaching to drywall and metal, use anchors that are designed for such substrates. Visit your local hardware store for guidance on appropriate anchors for your substrate.



Care and Cleaning:

If the panels are dusty, simply vacuum over it using an upholstery attachment. For cleaning soiled spots, we recommend contacting the Help Desk.

Warranty:

The Shade Store products are covered by a limited lifetime warranty. This warranty covers any defects in materials or workmanship so long as the product is measured and installed according to instructions. Every Shade Store window treatment is designed to provide trouble-free use. In the unlikely event that warranty service is ever needed, simply contact the Help Desk at help@theshadestore.com or 800-754-1455 for assistance.