

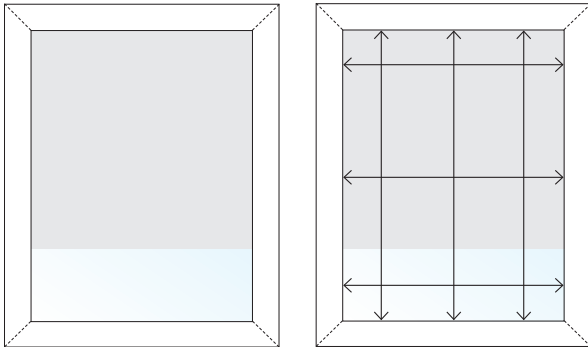
## HOW TO MEASURE:

### IT ALL STARTS WITH THE MOUNT TYPE

How do you want to hang your Cellular Shades? Inside the window frame? Outside the window frame? There are benefits to each and some important differentiators to learn.

#### OPTION 1: FOLLOW OUR STEP-BY-STEP INSTRUCTIONS

##### INSIDE MOUNT



- Mounted inside your window's frame
- Provides a clean, built-in look
- Leaves attractive woodwork exposed
- There is a 3/4" minimum amount of space needed for this mount type. We call this measurement the minimum depth requirement.

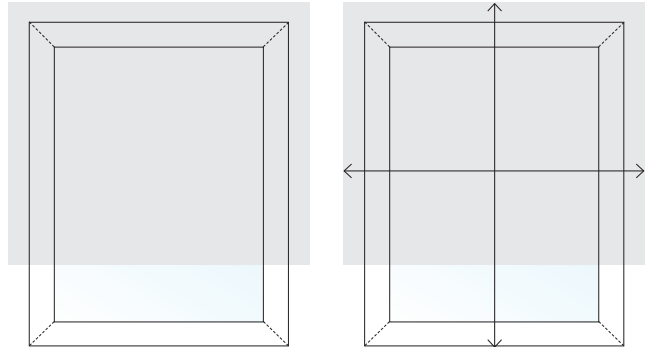
##### STEP 1

Because not all windows are perfect rectangles, we recommend measuring the window in 3 places to get your width: across, the top, middle and bottom: across the top, middle and bottom (see diagram above). Round all measurements to the nearest 1/8". Take smallest number. This is your ordering width. We will make the necessary deductions (approx. 1/8" - 1/2")

##### STEP 2

Finding the length is a smaller process, measuring the length of the window in 3 places on the window: left, center and right. Round all measurements to nearest 1/8". Take largest number. This is your ordering length.

##### OUTSIDE MOUNT



- Mounted outside or on top of the window's frame
- Provides a taller, more dramatic appearance
- There is no minimum depth requirement

##### STEP 1

Measure the width of the area you wish to cover. If space allows we recommend adding 2-3" (1 - 1 1/2" each side) to this measurement to help eliminate light see page. This is your ordering width and will be the overall measurement of the shade.

##### STEP 2

Measure the height of the area you wish to cover. This is your ordering length.

#### OPTION 2: VIEW OUR "HOW TO" VIDEO ONLINE

**GO TO:** [theshadestore.com/measure](http://theshadestore.com/measure)

#### OPTION 3: HIRE A PROFESSIONAL TO MEASURE

We have put together a national network of independent measure & install professionals. Simply go online, visit a showroom, or give us a call - and we can match you to a local pro. Once the professional measures, they'll send us a copy of your measurements, and we'll contact you to put your order together. This same professional can also install your window treatments. It's that simple!

**GO TO:** [theshadestore.com/findinstaller](http://theshadestore.com/findinstaller)  
Type in zip code and get matched today!

**CELLULAR DEPTH REQUIREMENTS**

<b>OPTIONS</b>	Minimum Depth Required For Secure <b>INSIDE MOUNT</b>	Minimum Depth Required For Flush <b>OUTSIDE MOUNT</b>	Minimum Depth Required For <b>INSIDE MOUNT</b>
Continuous Loop	7/8"	2 1/4"	1 3/4"
Cordless	7/8"	2 1/4"	1 3/4"
Day/Night	5/8"	2 3/8"	5/8"
Multiple on 1 Continuous Loop	7/8"	2 1/4"	1 3/4"
Battery Motor	1 1/8"	2 1/4"	1 3/4"
Plug-In/Hardwired Motor	1 1/2"	2 3/4"	1 3/4"