

CELLULAR SHADES INSTALLATION INSTRUCTIONS

SIMPLY FOLLOW OUR STEP-BY-STEP INSTRUCTIONS AND YOUR BEAUTIFUL NEW SHADES WILL SOON BE ENHANCING YOUR HOME OR WORKSPACE FOR MANY YEARS TO COME.

Getting Started:

Carefully unpack your shades and check to make sure you have the following installation parts. We recommend reading through these instructions before starting the installation.

Parts Included:

- Screws
- Mounting brackets (only needed for outside mount)
- Tension device (continuous loop control)

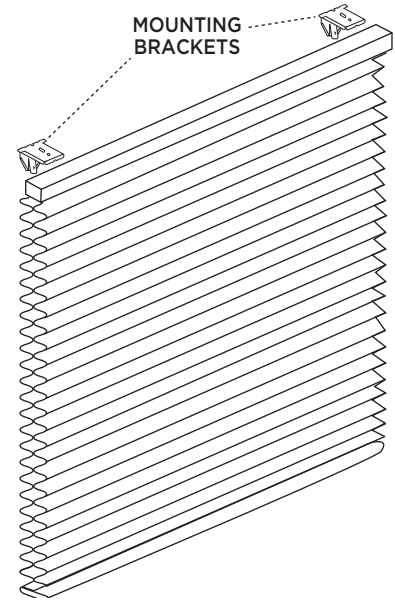
Please note that your brackets must be securely attached to the mounting surface. If your screws do not hit wood studs you'll have to use a different fastener suitable for your mounting surface which can be found at any local hardware store.

Tools You Will Need:

- Drill with a 1/8" bit and a Phillips bit
- Phillips screwdriver
- Metal tape measure

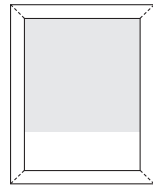
* According to the Window Covering Manufacturers Association Inc., all labels must not be removed from the product.

* To comply with child safety standards, all tension devices must be installed per the installation instructions provided in step 3

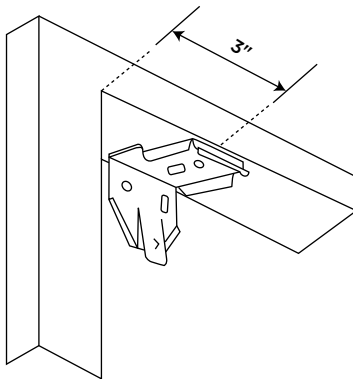


1A. Mounting Your Shade (Inside Mount):

Bracket spacing is the same for both inside and outside mounts. Two mounting brackets are positioned so that their center lines are 3" from the ends of the shades. If more than two brackets are required, additional brackets have been supplied and are to be spaced evenly between the two end brackets. Measure and mark all bracket center lines. The brackets are mounted flat against the top sill surface. Place the screw through the hole closest to the front of the bracket.

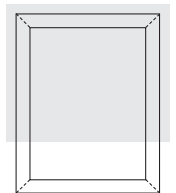


INSIDE MOUNT

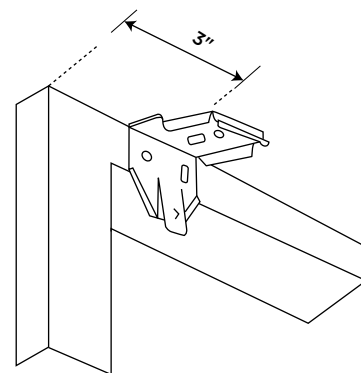


1B. Mounting Your Shade (Outside Mount):

Bracket spacing is the same for both inside and outside mounts. Two mounting brackets are positioned so that their center lines are 3" from the ends of the shades. If more than two brackets are required, additional brackets have been supplied and are to be spaced evenly between the two end brackets. Measure and mark all bracket center lines. The brackets are mounted with two screws through the back end of the bracket flat against the window molding or the wall above the window.



OUTSIDE MOUNT

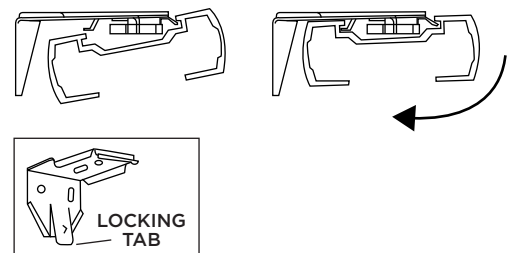


2. Installing the Shade:

- Hold the shade up near the brackets and insert the front clip of the bracket into the front groove of the rail.
- Make sure the shade is centered in the window opening.
- Push the rail back and up until the back clips of the bracket are inserted in the back groove of the rail.

To remove shade, reverse procedure.

(for cordless & continuous cord loop press locking tab on back of each bracket to release)



3. Installing Tension Device (Continuous Loop Control):

Positioning Tension Device:

The tension device should be positioned on the window frame or the wall so that the tension device and cord does not interfere with operation of window treatment.

3a. Begin Installation:

While holding the tension device in one hand, pull the plunger away from the cord with the other hand. Lift the cord out of the locking groove (Figure 1) and slide the tension device to the bottom of the cord loop.

Pull the tension device down until the cord is fully tensioned (plunger [Figure 2] will be at the top) and then move the tension device up approximately 1/8" (3mm).

Mark the screw hole locations on the wall with a pencil. (Figure 1)

Please Note: When attaching to wood, included screws can be screwed directly into wood. When attaching to drywall and metal, use anchors that are designed for such substrates. Visit your local hardware store for guidance on appropriate anchors for your substrate.

Continue to 3b. when installing tension device only or 3c. if installing with bracket.

3b. Installing Tension Device Only

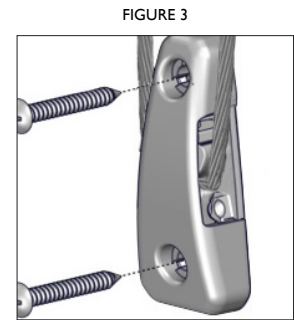
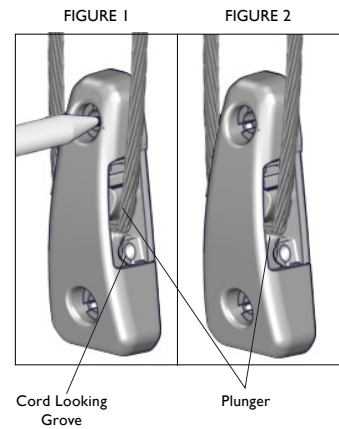
Attach tension device to wall by installing larger provided screws into tension device holes. (Figure 3)

3c. Using A Bracket:

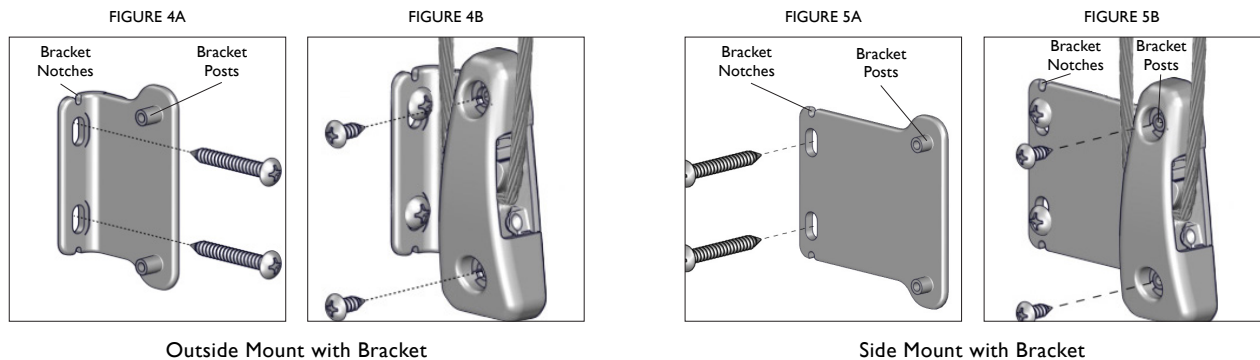
Remove tension device to reveal pencil marks. Align mounting bracket notches (Figure 4A, 5A) over pencil marks.

Next, attach bracket to wall by installing larger provided screws into mounting bracket oval slots.

Press the tension device onto the mounting bracket posts (Figure 4A, 5A). Carefully install the 2 small screws provided, through the tension device into the mounting bracket using a Phillips head screwdriver (Figure 4B, 5B)

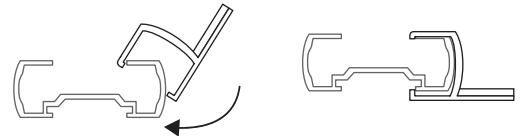


Inside Mount



4. Installing Clear Handle Grip (Cordless Control):

Attach the clear handle grip to the center of the bottom rail. Avoid grabbing the shade fabric by lifting pleats out of the way. Attach the grip to the rail as shown. Rotate grip downward and snap lower portion to bottom of the rail until it snaps into place.



Care and Cleaning:

If the shade is dusty, simply vacuum over it using an upholstery attachment. For cleaning soiled spots, we recommend contacting the Help Desk.

Warranty:

The Shade Store products are covered by a limited lifetime warranty. This warranty covers any defects in materials or workmanship so long as the product is measured and installed according to instructions. Every Shade Store window treatment is designed to provide trouble-free use. In the unlikely event that warranty service is ever needed, simply contact the Help Desk at help@theshadestore.com or 800-754-1455 for assistance.