

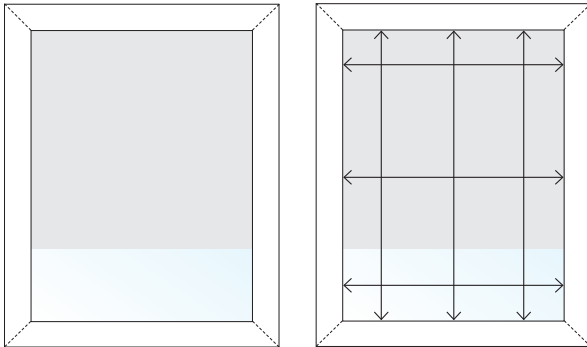
HOW TO MEASURE:

IT ALL STARTS WITH THE MOUNT TYPE

How do you want to hang your Metal + Wood Blinds? Inside the window frame? Outside the window frame? There are benefits to each and some important differentiators to learn.

OPTION 1: FOLLOW OUR STEP-BY-STEP INSTRUCTIONS

INSIDE MOUNT



- Mounted inside your window's frame
- Provides a clean, built-in look
- Leaves attractive woodwork exposed
- There is a minimum amount of space needed for this mount type. We call this measurement the minimum depth requirement.

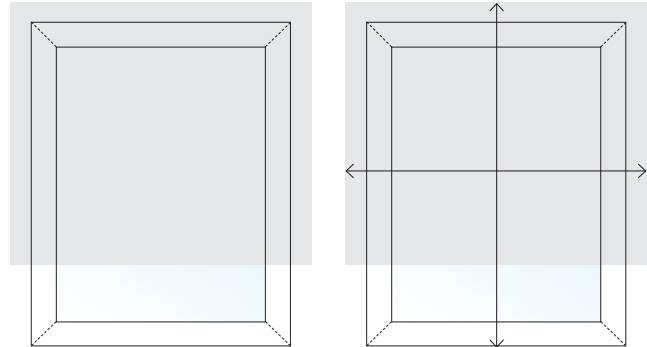
STEP 1

Because not all windows are perfect rectangles, we recommend measuring the window in 3 places to get your width: across the top, middle and bottom: across the top, middle and bottom (see diagram above). Round all measurements to the nearest $\frac{1}{8}$ ". Take smallest number. This is your ordering width. We will make the necessary deductions (approx. $\frac{1}{2}$ ")

STEP 2

Finding the length is a smaller process, measuring the length of the window in 3 places on the window: left, center and right. Round all measurements to nearest $\frac{1}{8}$ ". Take largest number. This is your ordering length.

OUTSIDE MOUNT



- Mounted outside or on top of the window's frame
- Provides a taller, more dramatic appearance
- There is no minimum depth requirement this mount type, making it a great alternative to inside mount

STEP 1

Measure the width of the area you wish to cover. If space allows we recommend adding 2-3" (1 - 1 1/2" each side) to this measurement to help eliminate light see page. This is your ordering width and will be the overall measurement of the shade. (Valance will be approx. 1" wider than blind due to returns.)

STEP 2

Measure the height of the area you wish to cover. This is your ordering length.

OPTION 2: VIEW OUR "HOW TO" VIDEO ONLINE

GO TO: theshadestore.com/measure

OPTION 3: HIRE A PROFESSIONAL TO MEASURE

We have put together a national network of independent measure & install professionals. Simply go online, visit a showroom, or give us a call - and we can match you to a local pro. Once the professional measures, they'll send us a copy of your measurements, and we'll contact you to put your order together. This same professional can also install your window treatments. It's that simple!

**GO TO: theshadestore.com/findinstaller
Type in zip code and get matched today!**

HOW TO MEASURE CONTINUED:

METAL + WOOD BLINDS DEPTH REQUIREMENTS

OPTIONS	HEADRAIL SIZE	Minimum Depth Required For Secure INSIDE MOUNT	Minimum Depth Required For Flush OUTSIDE MOUNT	Minimum Depth Required For INSIDE MOUNT
2" Metal Blind	2¼"	¾"	3"	1¾"
1" Metal Blind (Tilt Only)	1½"	¾"	2¼"	1⅜"
2" Faux / Wood Blind	2¼"	¾"	3"	1¾"
Multiple on 1 Without Tape (Tilt Only)	2¼"	¾"	3"	1¾"
Multiple on 1 With Tape (Tilt Only)	2¼"	¾"	3"	1¾"
Battery Motor (Tilt Only)	2¼"	¾"	3"	1¾"
Motorized (Lift & Tilt)	2¼"	¾"	3"	1¾"

Workroom Notes:

- Because Wood Blinds tend to be heavy, we recommend any Wood Blinds over 72" W (60"W for Faux) be ordered as multiple units.
- Wood Blinds 9"-12" wide will have tilt in center (no lift available).