

# MOTORIZED METAL AND WOOD BLINDS INSTALLATION INSTRUCTIONS

SIMPLY FOLLOW OUR STEP-BY-STEP INSTRUCTIONS AND YOUR BEAUTIFUL NEW SHADES WILL SOON BE ENHANCING YOUR HOME OR WORKSPACE FOR MANY YEARS TO COME.

## Getting Started:

Carefully unpack your shades and check to make sure you have the following installation parts. We recommend reading through these instructions before starting the installation.

### Parts Included:

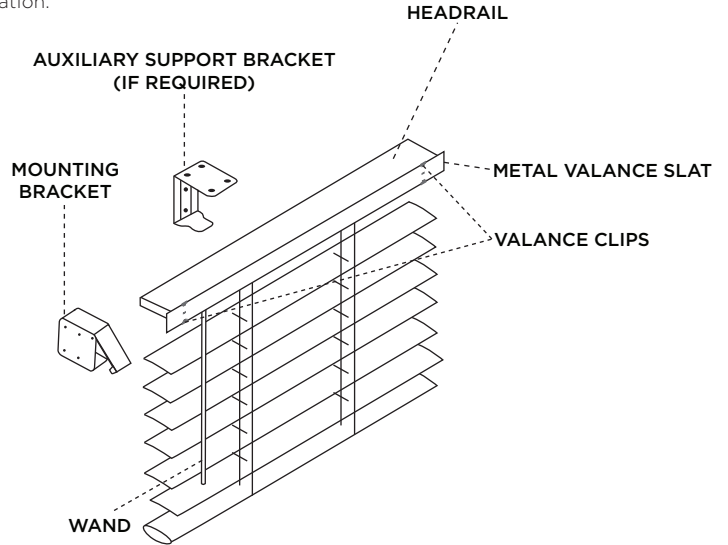
- Screws
- Two mounting brackets
- Valance
- Remote Control(s)
- 2 - Valance clips (Metal Blinds)
- Auxiliary support bracket
- 1x Plug-In Charger w/Extension Cable
- Battery Wand with Brackets

Please note that your brackets must be securely attached to the mounting surface. If your screws do not hit wood studs you'll have to use a different fastener suitable for your mounting surface which can be found at any local hardware store.

### Tools You Will Need:

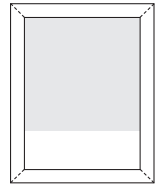
- Drill with a 1/8" bit and a Phillips bit
- Phillips screwdriver
- Flathead screwdriver
- Metal tape measure

\* According to the Window Covering Manufacturers Association Inc., all labels must not be removed from the product.



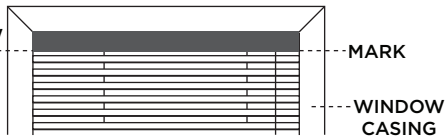
### 1A. Mounting Your Blinds (Inside Mount):

Unwrap the blind. Do not untie cord at this time. Make certain the headrail is level and clear of obstructions. Make pencil marks 1/8" below the headrail on each end. The bottom of the installation brackets will be placed on these marks.



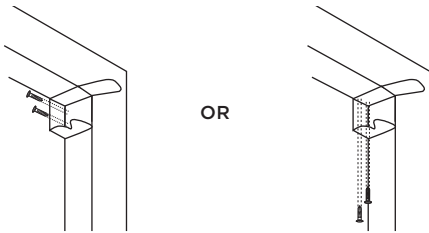
INSIDE MOUNT

MARK 1/8" BELOW BOTH ENDS OF THE HEADRAIL



REMEMBER TO KEEP HEADRAIL LEVEL (even if your window isn't)

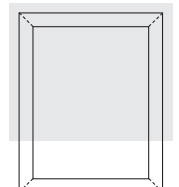
The brackets may be mounted using two screws inside the jambs or to the top inside of the window frame. Open the bracket's swivel cover with a screwdriver. Hold the bracket against the mounting surface and align it with the pencil marks. Using a pencil, mark the location of the two diagonal holes for the mounting screws at least 1/4" from the edge of the wood. If auxiliary support brackets have been supplied go to step 2.



OR

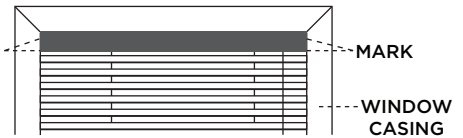
### 1B. Mounting Your Blinds (Outside Mount):

Unwrap the blind. Do not untie cord at this time. Hold the blind level and center against the window casing or wall. Mark the casing/wall with a pencil just below the headrail on each end. Also mark the window casing/wall 1/8" beyond the ends of the headrail. The installation brackets will be placed on these marks.



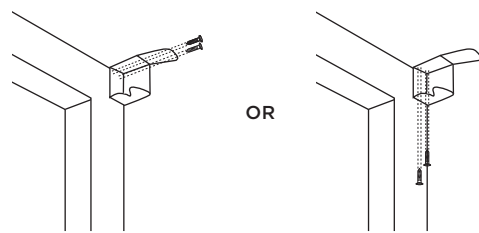
OUTSIDE MOUNT

MARK 1/8" BELOW/SIDE OF THE HEADRAIL



REMEMBER TO KEEP HEADRAIL LEVEL (even if your window isn't)

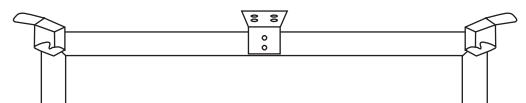
The brackets may be mounted using two screws on the outside of the window casing or to the ceiling. Open the bracket's swivel cover with a screwdriver. Hold the bracket against the mounting surface and align it with the pencil marks. Using a pencil, mark the location of the two diagonal holes for the mounting screws at least 1/4" from the edge of the wood. If auxiliary support brackets have been supplied go to step 2.



OR

### 2. Auxiliary Support Brackets (If Required):

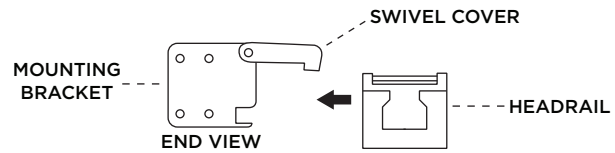
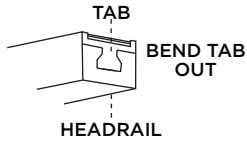
If an auxiliary support bracket is included with your blind it should be placed in line with the installation brackets. The auxiliary support should not be in line vertically with the blind's cord or ladder as it may interfere with the blind's lifting and tilting mechanism.



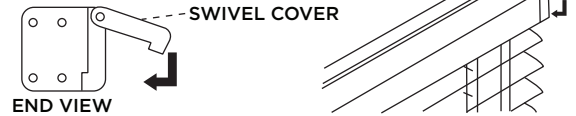
### 3. Headrail Installation:

With brackets installed, insert the headrail into the mounting brackets.

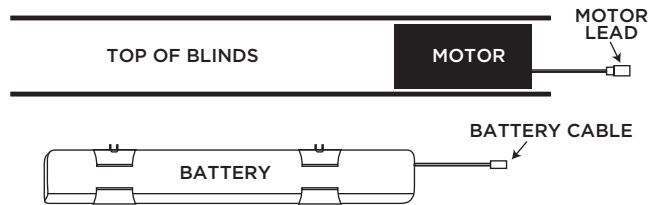
\* If your blind is not fitting snugly left to right, open the mounting brackets, remove the headrail and pry out the tab at the end of the headrail with a screwdriver.



CLOSE THE SWIVEL COVERS TO LOCK HEADRAIL IN PLACE.



### 4. Battery Wand and Motor:



### 5. Installing the Battery Wand:

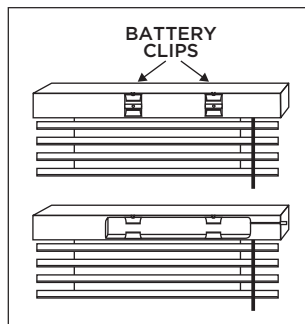
#### For Option 1 (Inside Mount Only)

- Mount battery to back of blinds.
- Connect battery cable to motor lead.

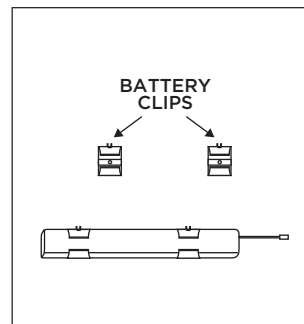
#### For Option 2 & 3

- Select the desired location for your Battery Wand and mark location.
- Install the Battery Clips at marked location, 6" from each other, on center, with the included screws. Be sure that the Clips are level with each other.
- Gently slide Battery Wand into clips.
- Connect battery cable to motor lead.

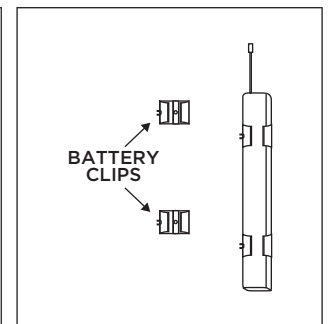
#### OPTION 1 MOUNT ON BACK OF BLINDS



#### OPTION 2 HORIZONTAL MOUNT



#### OPTION 3 VERTICAL MOUNT

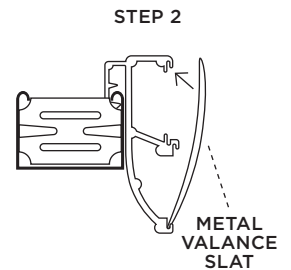
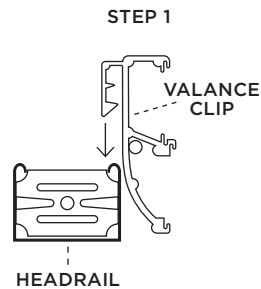
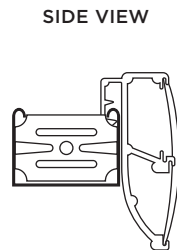


### 6. Valance Installation (Metal Blinds):

Step 1: Attach each Valance Clip to the headrail by sliding it downward onto the headrail.

Step 2: Once the Valance Clip has been attached, insert the Metal Valance Slat onto the Valance Clip.

To do so, start by inserting the bottom of the Metal Valance Slat into the clip. Once the bottom has been inserted, insert the top of the slat into the clip.



### 6. Valance Installation (Wood Blinds):

Magnets come screwed into the valance; simply stick the magnetic valance to the headrail. If your blind was ordered as an outside mount, the valance is supplied with pre-mounted returns. No returns are included with an inside mount.

**8. Operating Your Blinds:**

- Your blinds have been pre-programmed - remember the motor controls the tilt only.
- A channel has been assigned to each motor based on your specifications.
- For more information, see the Quick Start Guide that came with your blinds or visit [www.theshadestore.com/motors-help](http://www.theshadestore.com/motors-help).

**Care and Cleaning:**

If the blind is dusty, simply vacuum over it using an upholstery attachment. For cleaning soiled spots, we recommend contacting customer care.

**Warranty:**

The Shade Store products are covered by a limited lifetime warranty. This warranty covers any defects in materials or workmanship so long as the product is measured and installed according to instructions. Every Shade Store window treatment is designed to provide trouble-free use. In the unlikely event that warranty service is ever needed, simply contact the Help Desk at [help@theshadestore.com](mailto:help@theshadestore.com) or 800-754-1455 for assistance.