

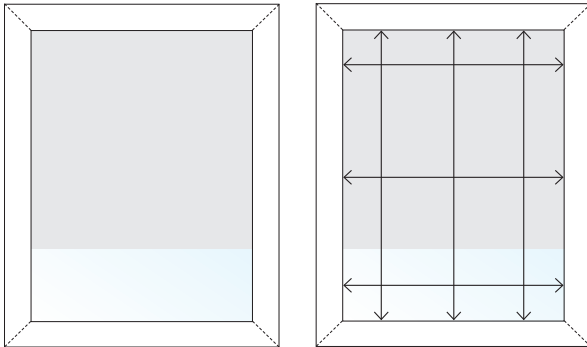
HOW TO MEASURE:

IT ALL STARTS WITH THE MOUNT TYPE

How do you want to hang your Roman Shades? Inside the window frame? Outside the window frame? There are benefits to each and some important differentiators to learn.

OPTION 1: FOLLOW OUR STEP-BY-STEP INSTRUCTIONS

INSIDE MOUNT



- Mounted inside your window's frame
- Provides a clean, built-in look
- Leaves attractive woodwork exposed
- There is a 3/4" minimum amount of space needed for this mount type. We call this measurement the minimum depth requirement.

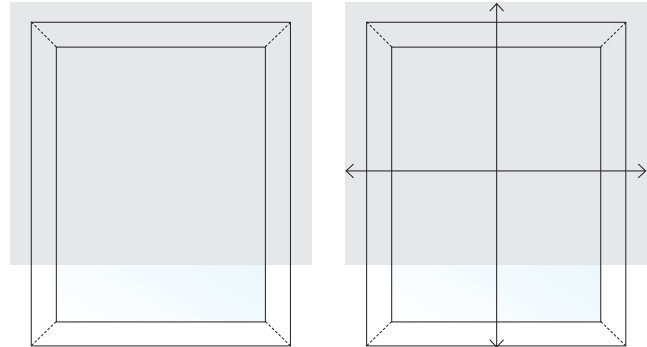
STEP 1

Because not all windows are perfect rectangles, we recommend measuring the window in 3 places to get your width: across, the top, middle and bottom: across the top, middle and bottom (see diagram above). Round all measurements to the nearest 1/8". Take smallest number. This is your ordering width. We will make the necessary deductions (approx. 1/8" - 1/2")

STEP 2

Finding the length is a smaller process, measuring the length of the window in 3 places on the window: left, center and right. Round all measurements to nearest 1/8". Take largest number. This is your ordering length.

OUTSIDE MOUNT



- Mounted outside or on top of the window's frame
- Provides a taller, more dramatic appearance
- There is no minimum depth requirement

STEP 1

Measure the width of the area you wish to cover. If space allows we recommend adding 2-3" (1 - 1 1/2" each side) to this measurement to help eliminate light see page. This is your ordering width and will be the overall measurement of the shade.

STEP 2

Measure the height of the area you wish to cover. This is your ordering length.

Workroom Notes:

- For outside mount shades with upholstered valances, please note the valance will be 1.25" wider than your ordered width due to returns.

OPTION 2: VIEW OUR "HOW TO" VIDEO ONLINE

GO TO: theshadestore.com/measure

OPTION 3: HIRE A PROFESSIONAL TO MEASURE

We have put together a national network of independent measure & install professionals. Simply go online, visit a showroom, or give us a call - and we can match you to a local pro. Once the professional measures, they'll send us a copy of your measurements, and we'll contact you to put your order together. This same professional can also install your window treatments. It's that simple!

**GO TO: theshadestore.com/findinstaller
Type in zip code and get matched today!**

DEPTH REQUIREMENTS

OPTIONS	HEADRAIL SIZES	Minimum Depth Required For Secure INSIDE MOUNT	Minimum Depth Required For Flush OUTSIDE MOUNT	Minimum Depth Required For INSIDE MOUNT
Continuous Loop	2¼"	1¼"	2⅝"	3"
Continuous Loop w/ minimized Headrail	1¾"	¾"	1⅞"	2½"
Continuous Loop w/ Updated Valance	2¼"	1¼"	2¾"	3"
Cordless*	2½"	1¼"	2⅝"	3"
Cordless* w/ Upholstered Valance	2½"	1¼"	3"	3"
2-on-1/Continuous Loop	2¼"	1¼"	2¾"	3"
Standard Style Roman Continuous Loop	2½"	1¼"	3"	3"
Plug-In/Hardwired Motor	2¾"	1½"	2⅞"	3¼"
Plug-In/Hardwired Motor w/ Upholstered Valance	2¾"	1½"	3¼"	3½"

Workroom Notes:

- *N/A for Relaxed, Tulip, Pleated styles